

Quotation 2017- 18

Subject; DC resistance measurement system

Dear Sir,

Refer to your enquiry for dc resistance measurement system.

Kindly find attached here below the quotation for the said item along with the terms and conditions.

Please note that the similar item is installed to many scientific organizations list below:

- Solid State Lab (SSPL) Delhi
- GVM college Sonapat
- NPL, NEW DELHI
- NIT kurushetra

Specification of DC resistance measurement system.

Resistance measurement range

1 Milliohm to 100 Giga Ohm

Temperature range

Range 1

- - 100 degree C to 250 degree C in low temp attachment

Range II

- RT to 550 degree C in high temp attachment
- Accuracy 1 degree
- Resolution 0.1 degree

A3/25b Green Apartment Near Jawal Heri market New Delhi -110063

Ph 91 11 41428187. Fax 91 11 25414189

www.marineindia.com

Document N°001

Restricted

1

Various items and attachments Included

Current Source

- Current range 1 nA to 10 m A
- Resolution 1% of the range
- Voltage compliance 100 Volts

DC Voltmeter

- Range 1 microV to 100 Volt
- Resolution 1% of the range
- Voltage compliance 100 Volts
-

Temperature Stage

- SS construction sample holder RT – 500 degree C
- Facility to load bulk pellet of size 2 mm to 25 mm dia or rectangular pellet for four probe setup of size 16*4*2 mm
- PID controlled heating arrangement using NX4 controller having RS232 interface
- 2.5 K watt thyrester power supply
- RS232 PCI card to control the temperature controller.

- Sample holder shall have 4 connections on top plate for connection to current source and DC voltmeter 2 nos connector for heater and thermocouple sensor each .

Software

- Software to set field automatically for all four quadrant
- Standard graph and data in tabular form for following
 - o I/V Current vs voltage in fixed interval
 - o DC resistivity at different temperatures

- RS232/USB interface hardware.

Software Requirements

- A normal PIV computer to be provided by the user

A3/25b Green Apartment Near Jawal Heri market New Delhi -110063

Ph 91 11 41428187. Fax 91 11 25414189

www.marineindia.com

Price Details and Terms & Conditions

Complete DC resistance measurement system Rs 8,00,000/-
(Rs eight lakh only)
• Price with any one temperature option

In case the customer wishes both the options together then the price for both the option together will be

Complete DC resistivity with Option I and II temperature range Rs12,50,000/-

In case user wishes to provide own current source and voltmeter or electrometer the price is detailed as below:

Option I Rs , 6,00,000/-

Temperature range

Range 1

- - 100 degree C to 250 degree C in low temp attachment

Option II Rs 5,50,000/-

Range II

- RT to 550 degree C in high temp attachment

In case the customer wishes both the options together then the price for both the option together will be

Option I and II Rs 9,50,000/-

A3/25b Green Apartment Near Jawal Heri market New Delhi -110063

Ph 91 11 41428187. Fax 91 11 25414189

www.marineindia.com

Restricted

Document N°001

3

Marine India



- From 1st July GST 18% will be charged extra.
- Payment 100% against delivery
- Performa invoice will be provided after material is ready for inspection
- Warranty 1 year from date of installation
- Warranty certificate shall be provided

We hope you will find the attached information in order and remain at your disposal for any information that you may require.

Thanking you

A handwritten signature in black ink, consisting of a series of loops and a final upward-pointing tick, positioned above a horizontal line.

Yours truly,
For Marine India

**A3/25b Green Apartment Near Jawal Heri market New Delhi -110063
Ph 91 11 41428187. Fax 91 11 25414189**

www.marineindia.com

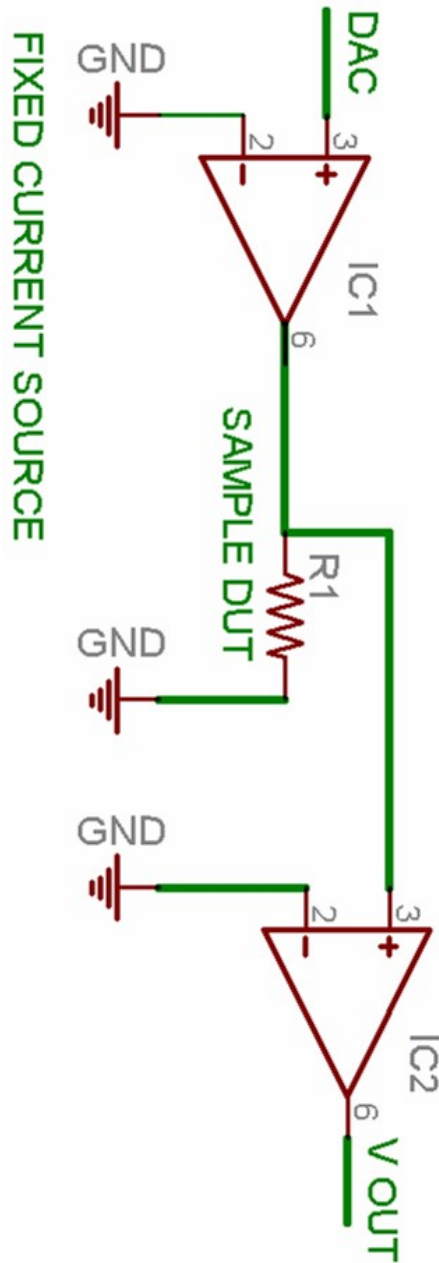
Document N°001

Restricted

4

Block diagram of the DC resistance measurement setup

Following is the block diagram of the basic system

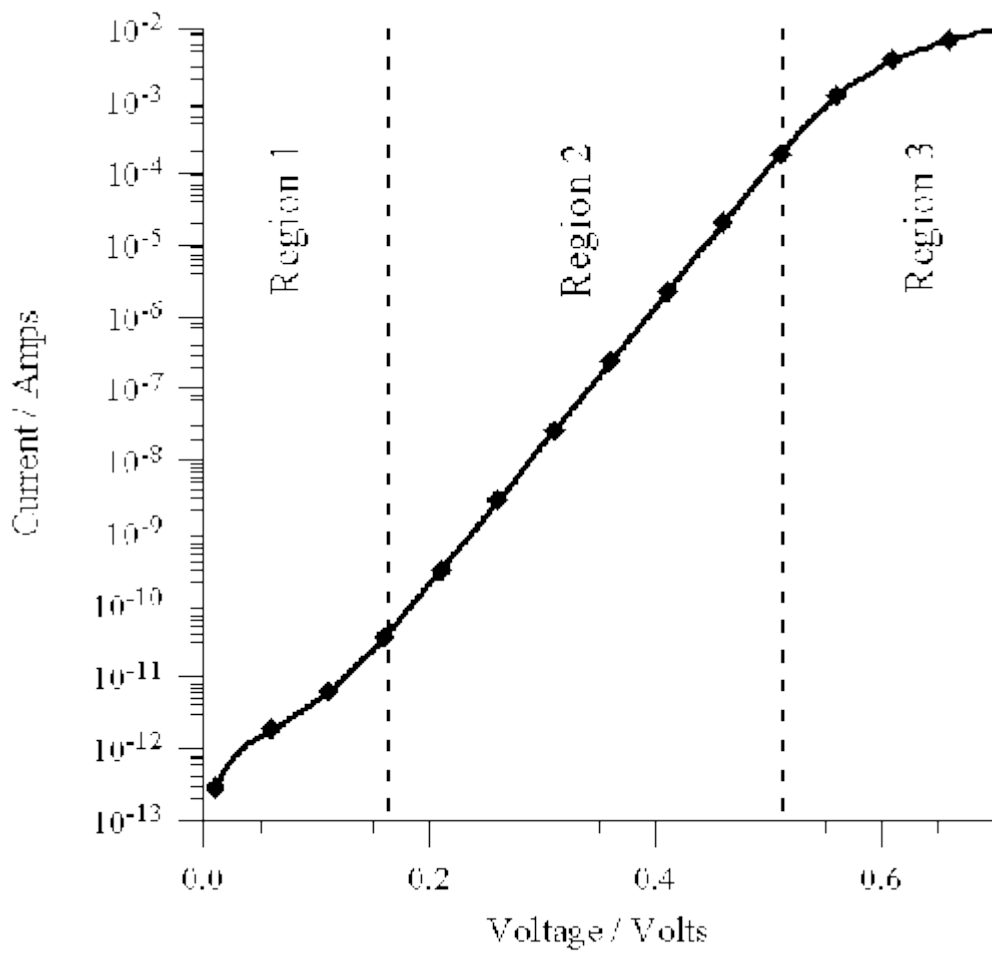


A3/25b Green Apartment Near Jawal Heri market New Delhi -110063
Ph 91 11 41428187. Fax 91 11 25414189

www.marineindia.com
Document N°001

Sub components photos/dimensions

Following are the photos of sub systems, such as Unit photo, sample/material photo, heating arrangement, actual data loop.



A3/25b Green Apartment Near Jawal Heri market New Delhi -110063
Ph 91 11 41428187. Fax 91 11 25414189

www.marineindia.com



Data file of DC resistance

Following is the data file of the DC resistance measurement system

Sr no.	TIME LOG ROH	TEMPRATURE	VOLTAGE	CURRENT	RESISTANCE	RESISTIVITY	
0	10.0	3.180E-3	10.021	+1.359941E-09A	7.369E+9	7.368588E+9	9.867384E+0
1	10.7	3.180E-3	10.021	+1.355281E-09A	7.394E+9	7.393924E+9	9.868875E+0
2	11.0	3.181E-3	10.021	+1.360248E-09A	7.367E+9	7.366925E+9	9.867286E+0
3	11.3	3.181E-3	10.021	+1.356373E-09A	7.388E+9	7.387972E+9	9.868525E+0
4	11.6	3.181E-3	10.021	+1.356382E-09A	7.388E+9	7.387923E+9	9.868522E+0
5	11.9	3.181E-3	10.021	+1.353999E-09A	7.401E+9	7.400925E+9	9.869286E+0
6	12.2	3.181E-3	10.021	+1.349778E-09A	7.424E+9	7.424069E+9	9.870642E+0
7	12.5	3.181E-3	10.021	+1.352823E-09A	7.407E+9	7.407359E+9	9.869663E+0
8	15.2	3.181E-3	10.021	+1.324546E-09A	7.565E+9	7.565494E+9	9.878837E+0
9	15.5	3.181E-3	10.021	+1.321090E-09A	7.585E+9	7.585286E+9	

A3/25b Green Apartment Near Jawal Heri market New Delhi -110063

Ph 91 11 41428187. Fax 91 11 25414189

www.marineindia.com

Screen Shots of Computer Software

Following are the screen shots of computer software

