

Quotation 2017-18

Subject; DC resistance and Magneto resistance measurement system

Dear Sir,

Refer to your enquiry for dc resistance and magneto resistance measurement system.

Kindly find attached here below the quotation for the said item along with the terms and conditions.

Please note that the similar item is installed to many scientific organizations list below:

- Solid State Lab (SSPL) Delhi
- GVM college Sonapat
- NPL, NEW DELHI
- NIT kurushetra

Specification of DC resistance measurement system.

Resistance measurement range

1 Milliohm to 100 Giga Ohm

Temperature range

Range 1

- - 100 degree C to 250 degree C in low temp attachment

Range II

- RT to 550 degree C in high temp attachment
- Accuracy 1 degree
- Resolution 0.1 degree

A3/25b Green Apartment Near Jawal Heri market New Delhi -110063

Ph 91 11 41428187. Fax 91 11 25414189

www.marineindia.com

Various items and attachments Included

Current Source

- Current range 1 nA to 10 m A
- Resolution 1% of the range
- Voltage compliance 100 Volts

DC Voltmeter

- Range 1 microV to 100 Volt
- Resolution 1% of the range
- Voltage compliance 100 Volts
-

Temperature Stage

- SS construction sample holder RT – 500 degree C
- Facility to load bulk pellet of size 2 mm to 25 mm dia or rectangular pellet for four probe setup of size 16*4*2 mm
- PID controlled heating arrangement using NX4 controller having RS232 interface
- 2.5 K watt thyrester power supply
- RS232 PCI card to control the temperature controller.

- Sample holder shall have 4 connections on top plate for connection to current source and DC voltmeter 2 nos connector for heater and thermocouple sensor each .

0.75 tesla DC Pole Magnets

- Field 0- 7500 gauss U frame magnets
- Max. Pole gap 40 mm
- (field vs. pole gap chart provided)
- Pole diameter 3 inches (75mm)
- Magnet diameter 10 inches
- Resolution 100 gauss
- U frame constructed with TATA A grade steel
- Thermal protection

A3/25b Green Apartment Near Jawal Heri market New Delhi -110063

Ph 91 11 41428187. Fax 91 11 25414189

www.marineindia.com

Pole Gap vs Filed Chart

ELECTROMAGNEDATA

Pole gap Mm	Field Tesla
6	1.0
8	0.90
10-12	0.80
12-15	0.75

Magnetic Power Supply bipolar

- 40V, 5 amps bipolar power supply
- Input 220V/440VAC 50Hz
- Stability 1%
- Overload protection
- Thermal shut off

Software

- Software to set field automatically for all four quadrant
- Standard graph and data in tabular form for following
 - o I/V Current vs voltage in fixed interval
 - o DC resistivity at different temperatures
 - o DC resistivity at different magnetic field
- RS232/USB interface hardware.

Software Requirements

- A normal PIV computer to be provided by the user

A3/25b Green Apartment Near Jawal Heri market New Delhi -110063

Ph 91 11 41428187. Fax 91 11 25414189

www.marineindia.com

Price Details and Terms & Conditions

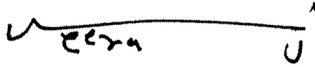
DC resistance measurement system
Magneto resistance measurement option

Rs 8,00,000/-
Rs. 3,60,000/-

- From 1st July GST @ 18% will be charged.
- Payment 100% against delivery
- Performa invoice will be provided after material is ready for inspection
- Warranty 1 year from date of installation
- Warranty certificate shall be provided

We hope you will find the attached information in order and remain at your disposal for any information that you may require.

Thanking you



Yours truly,
For Marine India

A3/25b Green Apartment Near Jawal Heri market New Delhi -110063
Ph 91 11 41428187. Fax 91 11 25414189

www.marineindia.com

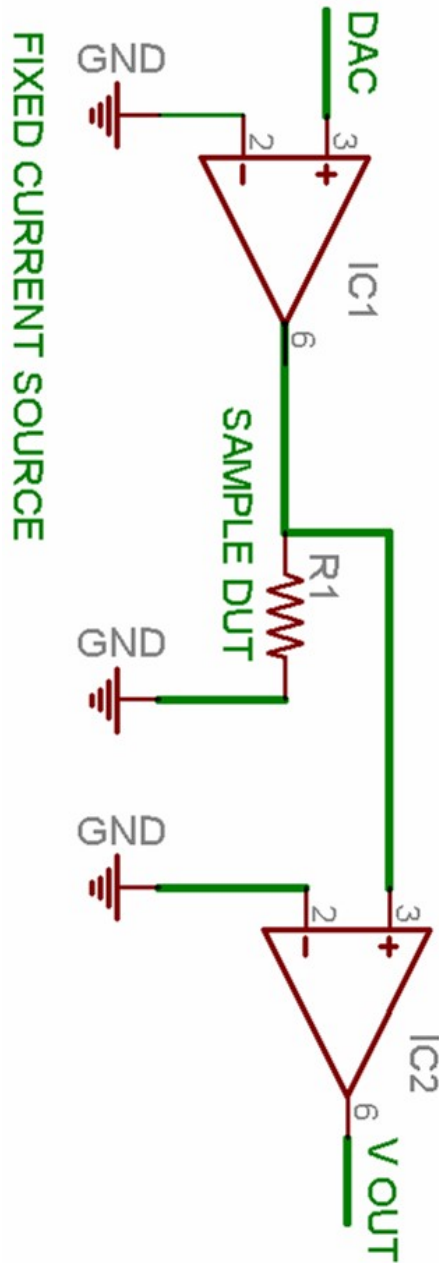
Restricted

Document N°001

4

Block diagram of the DC resistance measurement setup

Following is the block diagram of the basic system

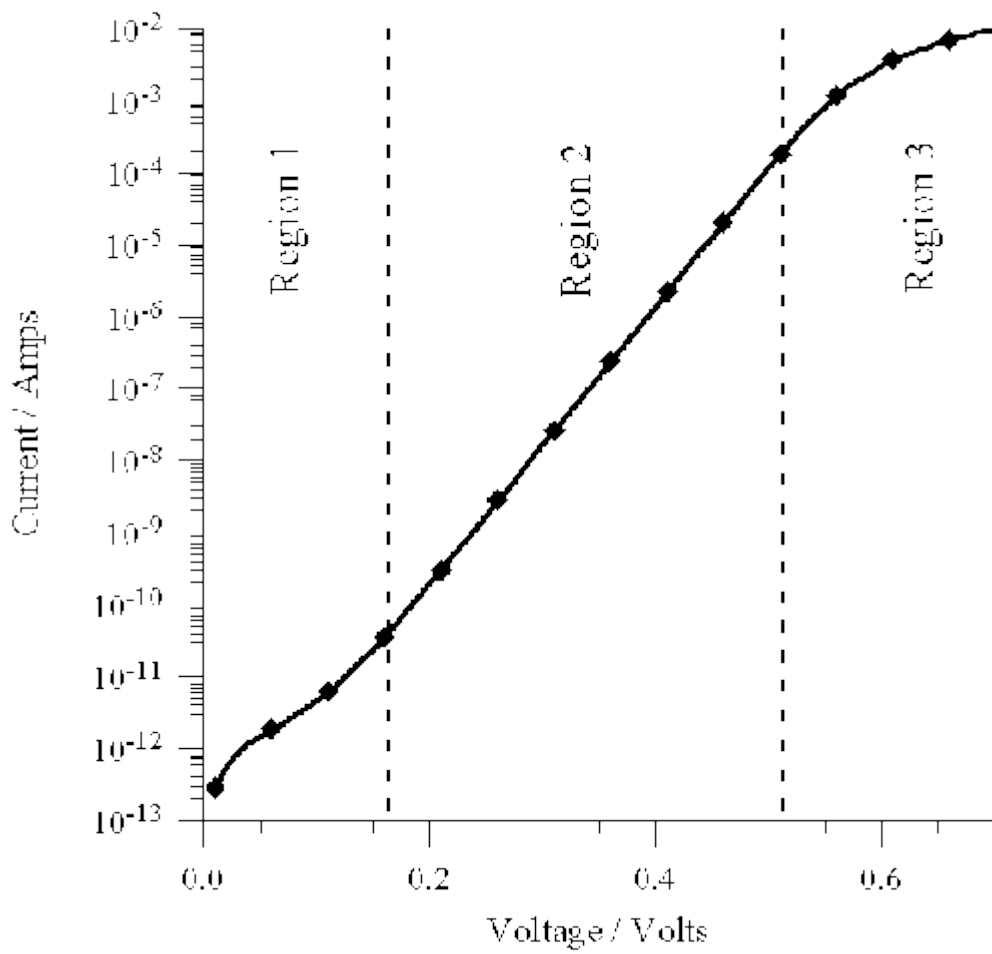


A3/25b Green Apartment Near Jawal Heri market New Delhi -110063
Ph 91 11 41428187. Fax 91 11 25414189

www.marineindia.com
Document N°001

Sub components photos/dimensions

Following are the photos of sub systems, such as Unit photo, sample/material photo, heating arrangement, actual data loop.



A3/25b Green Apartment Near Jawal Heri market New Delhi -110063
Ph 91 11 41428187. Fax 91 11 25414189

www.marineindia.com



Data file of DC resistance

Following is the data file of the DC resistance measurement system

Sr no.	TIME LOG ROH	TEMPRATURE	VOLTAGE	CURRENT	RESISTANCE	RESISTIVITY	
0	10.0	3.180E-3	10.021	+1.359941E-09A	7.369E+9	7.368588E+9	9.867384E+0
1	10.7	3.180E-3	10.021	+1.355281E-09A	7.394E+9	7.393924E+9	9.868875E+0
2	11.0	3.181E-3	10.021	+1.360248E-09A	7.367E+9	7.366925E+9	9.867286E+0
3	11.3	3.181E-3	10.021	+1.356373E-09A	7.388E+9	7.387972E+9	9.868525E+0
4	11.6	3.181E-3	10.021	+1.356382E-09A	7.388E+9	7.387923E+9	9.868522E+0
5	11.9	3.181E-3	10.021	+1.353999E-09A	7.401E+9	7.400925E+9	9.869286E+0
6	12.2	3.181E-3	10.021	+1.349778E-09A	7.424E+9	7.424069E+9	9.870642E+0
7	12.5	3.181E-3	10.021	+1.352823E-09A	7.407E+9	7.407359E+9	9.869663E+0
8	15.2	3.181E-3	10.021	+1.324546E-09A	7.565E+9	7.565494E+9	9.878837E+0
9	15.5	3.181E-3	10.021	+1.321090E-09A	7.585E+9	7.585286E+9	

A3/25b Green Apartment Near Jawal Heri market New Delhi -110063

Ph 91 11 41428187. Fax 91 11 25414189

www.marineindia.com

Screen Shots of Computer Software

Following are the screen shots of computer software

